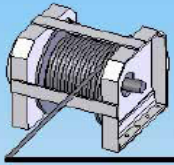
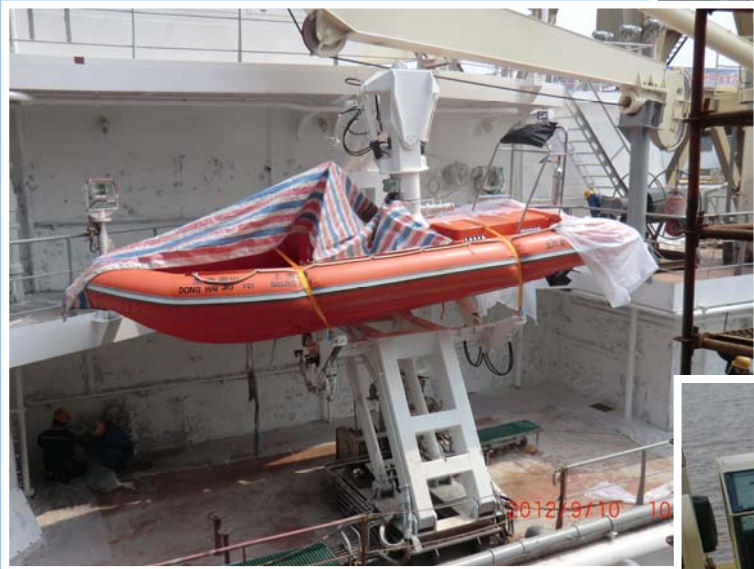


# SPR & FR TYPE RESCUE BOAT DAVIT



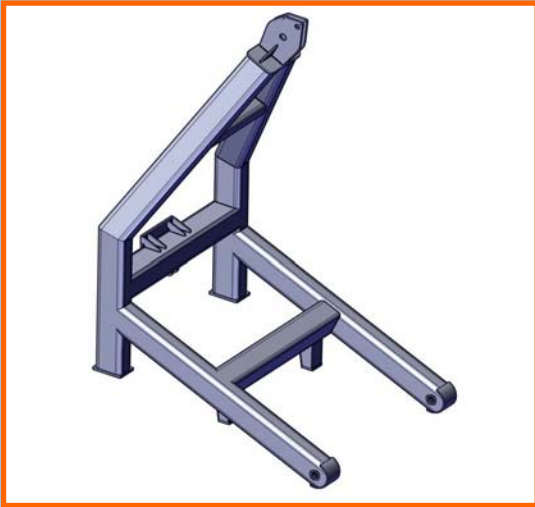
**HKMM**

江阴泓康机械制造有限公司



## FR Serial

**FR21** Working load (at max.outreach) : 2100kg



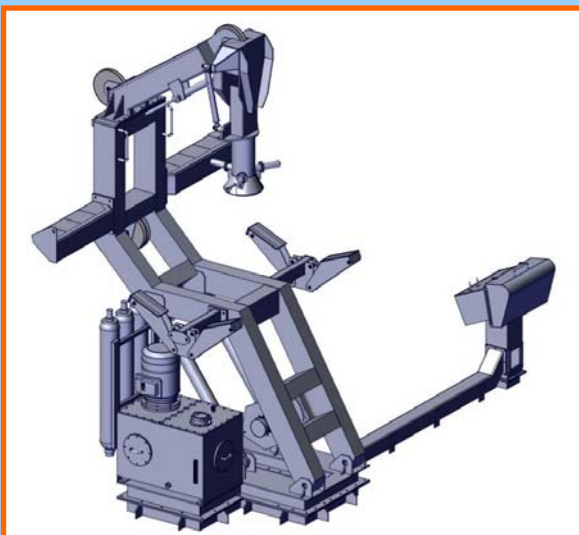
SWL .....21kN  
 Hook Speed(full load)..... 48m/min  
 Low Speed (full load)..... 60m/min  
 Hoist Height..... 30m  
 Auto Constant tension ..... 600kg  
 Heel/trim..... 20°/10°  
 Sea State..... force 5

**FR27** Working load (at max.outreach) : 2700kg



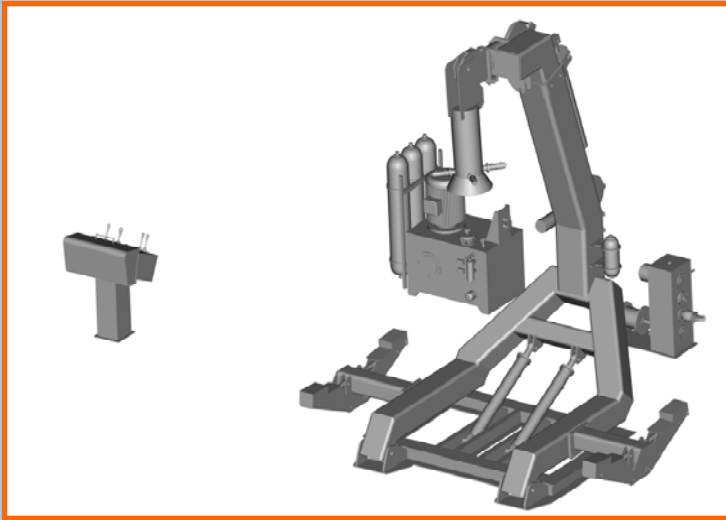
SWL .....27kN  
 Hook Speed(full load)..... 48m/min  
 Low Speed (full load)..... 60m/min  
 Hoist Height..... 30m  
 Auto Constant tension ..... 600kg  
 Heel/trim..... 20°/10°  
 Sea State..... force 5

**FR30** Working load (at max.outreach) : 3000kg



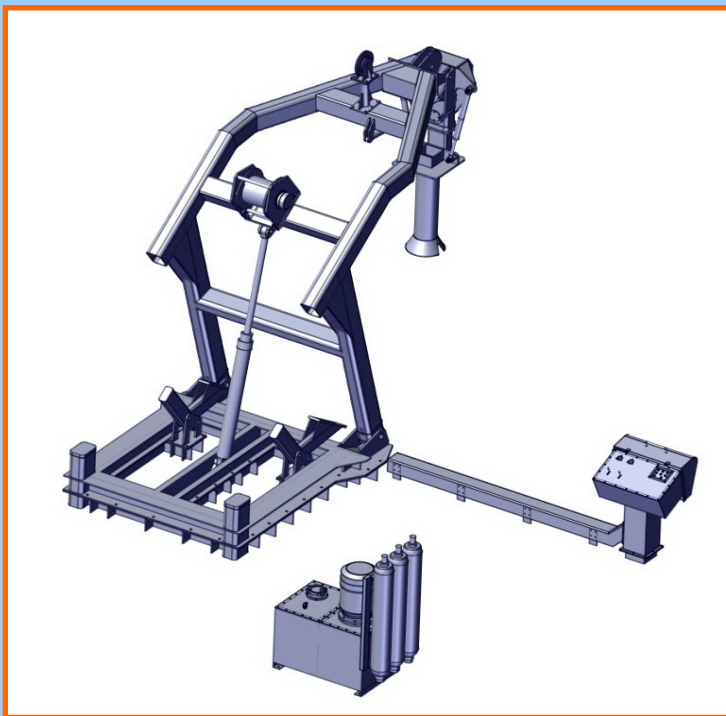
SWL .....30kN  
 Hook Speed(full load)..... 48m/min  
 Low Speed (full load)..... 60m/min  
 Hoist Height..... 30m  
 Auto Constant tension ..... 600kg  
 Heel/trim..... 20°/10°  
 Sea State..... force 6

**SPR5000** Working load(at max.outreach) : 5000kg



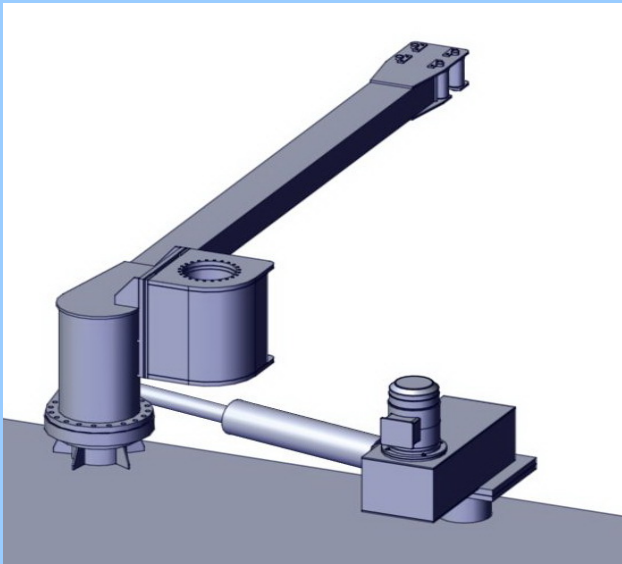
SWL .....50kN  
 Hook Speed(full load)..... 48m/min  
 Low Speed (full load)..... 60m/min  
 Hoist Height..... 25m  
 Auto Constant tension ..... 600kg  
 Heel/trim..... 20°/10°  
 Sea State..... force 6

**FR60 IS IN DESIGN .....**



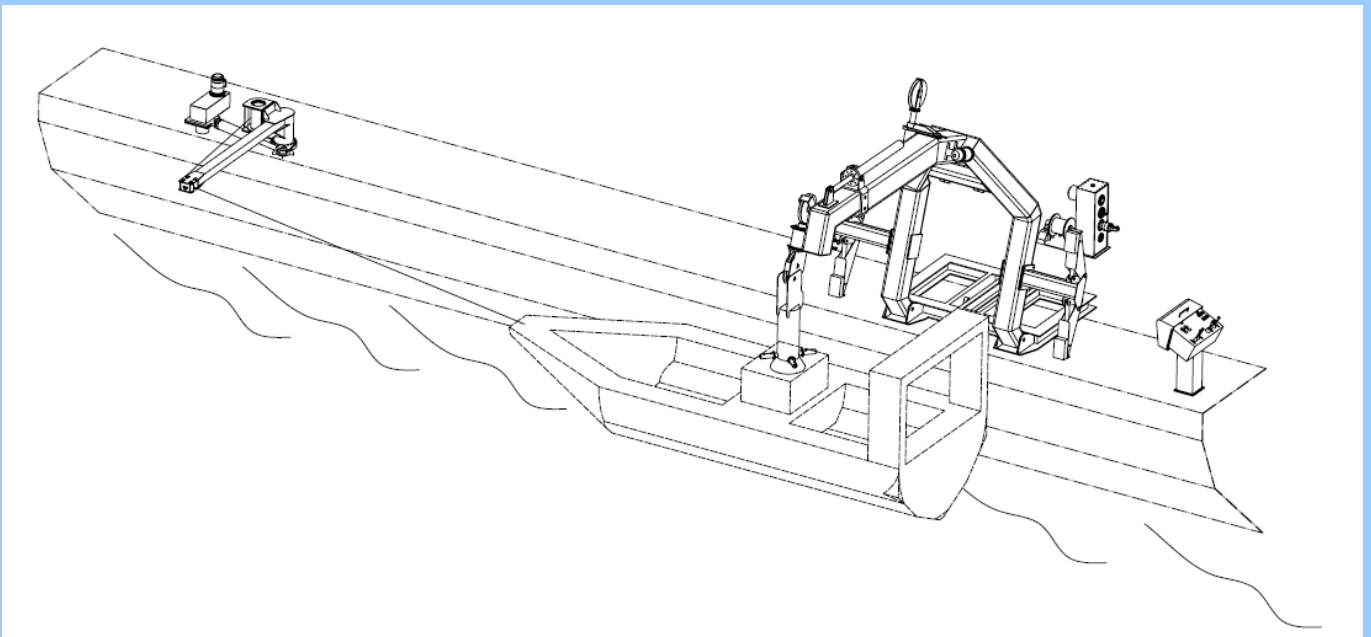
Addition equipment for davit

Painter line Boom



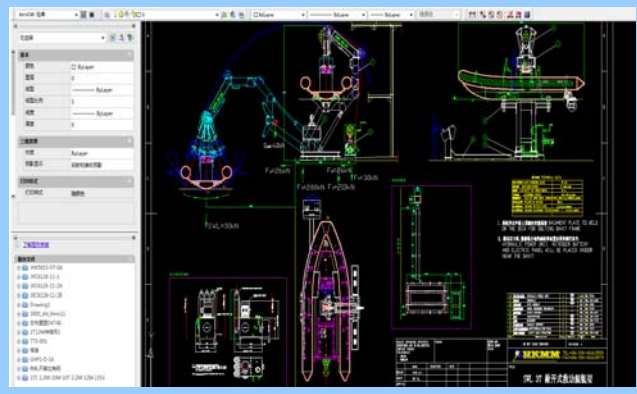
- Pull force .....15kN
- Out rigger length.....2.8m
- Painter line length.....15m
- Rope speed .....6m/min
- Slewing angle ..... 90 degr.
- Slewing time .....10 s
- Heel/trim..... 20°/10°
- Sea State..... force 6

The function of Painter line Boom



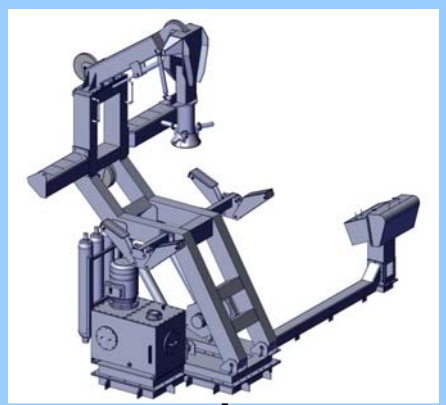


# How can the cranes be produced by us?



**CAD DESIGN**  
CAD 设计

**3D ASSEMBLE CHECK**  
3D 模型校核



**STEEL BODY PRODUCE**  
钢结构制造



**NDT**  
无损探伤

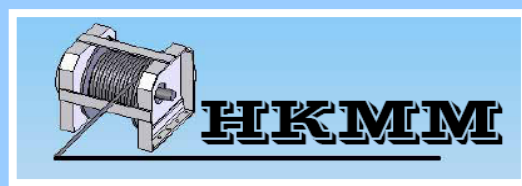


**TRANSPORT**  
运输

**TEST IN FACTORY BY SURVEYOR**  
船检出厂试验

**PAINTING**  
涂装





***In order providing you with the most suitable and competitive service and our products. We need to know the following basic information, the bold printed information is minimal required to provide an offer.***

为了能提供给客户更有效地服务和我们的产品，我们需要知道以下基本内容。以下打印的信息请填写，以便报价所需。

**Company name :** \_\_\_\_\_

**Personal name :** \_\_\_\_\_

**Fax/tel/e-mail :** \_\_\_\_\_

**Latest bid date for offer :** \_\_\_\_\_

**Required delivery time : week \_\_\_\_\_ 201\_\_\_\_\_**

**Short description of application :** \_\_\_\_\_

**Sketch of application available : no / yes find enclosed**

**No. of cranes :** \_\_\_\_\_

**Type (if known) :** \_\_\_\_\_

**Working Load Limit**

**(W.L.L. /S.W.L.) :** \_\_\_\_\_ Ton or kN

**Hook Speed :** \_\_\_\_\_ m/min in \_\_\_\_\_ layer, fixed / variable / 2-speed; \_\_\_\_\_ / \_\_\_\_\_ m/min.

**Hoist Height :** \_\_\_\_\_ m

**Max. Outreach :** \_\_\_\_\_ m

**Min. Outreach :** \_\_\_\_\_ m

**Supply : electric ; \_\_\_\_\_ VAC / \_\_\_\_\_ phase / \_\_\_\_\_ Hz.**

**Classification : LRS / BV / GL / ABS / CCS / DNV / RINA / KR / NK\_\_\_\_\_**

**Other requirements :** \_\_\_\_\_

\_\_\_\_\_  
贵公司名称 : \_\_\_\_\_

贵公司联系人 : \_\_\_\_\_

传真/电话/邮箱 : \_\_\_\_\_

最近的询价日期 : \_\_\_\_\_

要求最短供货期 : \_\_\_\_\_

吊机使用领域简要说明 : \_\_\_\_\_

提供相关产品简图 : 没有 /有, 见随附

吊机订购数量 : \_\_\_\_\_

型号 (如果知道) : \_\_\_\_\_

工作负载

**(W.L.L. /S.W.L.) :** \_\_\_\_\_ Ton 或 kN

**起升速度 :** 固定速度 \_\_\_\_\_ m/min 或 变速/ 双速 \_\_\_\_\_ / \_\_\_\_\_ m/min.

吊高 : \_\_\_\_\_ m

最大工作半径 : \_\_\_\_\_ m

最小工作半径 : \_\_\_\_\_ m

电源 \_\_\_\_\_ VAC / \_\_\_\_\_ phase / \_\_\_\_\_ Hz.

船级社 : LRS / BV / GL / ABS / CCS / DNV / RINA / KR / NK\_\_\_\_\_

其他要求 : \_\_\_\_\_

# HKMM泓康机械

Please contact us!

请联系我们!

Address 地址 : Huate West Road No.26, Jiangyin City, Jiangsu Province,China.

中国江苏省江阴市经济开发区石庄园区华特西路26号

Tel 电话 : +86-510-86660305 / 86660309

Fax 传真 : +86-510-86163579

Email 邮箱: [jiangyin.xcmm@gmail.com](mailto:jiangyin.xcmm@gmail.com)

[tangqiwen@yeah.net](mailto:tangqiwen@yeah.net)



为中国的海洋事业，

尽一份泓康的力量！